

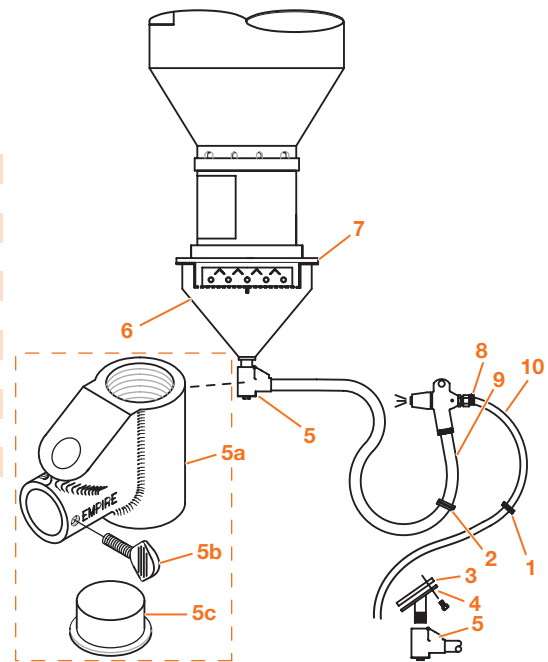


Parts: Suction Blast Systems

Guide to Part Numbers

Hopper Assembly

Item	Description	PART NUMBER
1	Grommet, air hose, 3/4" x 1 1/16"	523921
2	Grommet, blast hose, 1" x 1 3/8"	523931
3	Gasket, cabinet outlet	524381
4	Outlet adapter, cabinet, 1/4" NPT for SAR-2 (no reclaim)	760441
5	SAR-2 media regulator, complete, 1 1/4" FPT	290156
5a	SAR-2 media regulator, body	753351
5b	Thumb screw, 1/4" - 20 x 1"	551042
5c	Plug, clean out	510121
6	Hopper, 1 gun suction	760751
7 †	Gasket, reclaim to hopper (2 required with magnet)	524371
8	Hose clamp, 1/2" air hose (2 per hose)	520502



Blast & Air Hoses

Item	Description	Bulk	PART NUMBERS					
			2636	3648 3696	3674	3660	4848	6060 60120
9 *	Blast hose section, 5/8" ID (Blast hose length)	—	522571 (7')	522581 (8')	522591 (9')	522591 (9')	522591 (9')	522601 (13')
	Blast hose section, 5/8" ID, Ergo-Blast (Blast hose length for Ergo-Blast models)	—	522591 (9')	522601 (12')	522601 (12')	522601 (12')	522601 (12')	522601 (13')
	Blast hose, 5/8" ID, maximum length: 50'	520802	—	—	—	—	—	—
10 †	Air-hose assembly, 1/2" ID (Air-hose length)	—	522831 (7.5')	522841 (7')	522851 (8')	522851 (8')	522851 (8')	522861 (10')
	Air-hose assembly, 1/2" ID, Ergo-Blast (Air-hose length for Ergo-Blast models)	—	522861 (10')	522861 (10')	522861 (10')	522861 (10')	516261 (10')	522861 (10')
	Air hose, 1/2" ID, maximum length: 50'	520861	—	—	—	—	—	—

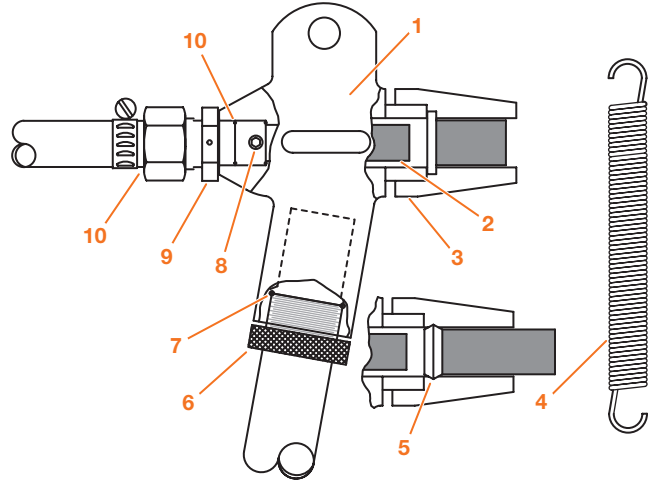


Parts: Suction Blast Systems

MH-2 Guns

Item	Description	PART NUMBER
1 *	Gun body, MH-2 long handle	735551
2 *	Air jet, 5/32" (green)	505671
3 *	Nozzle adapter, plastic	505641
4	Spring, suction-gun assist	511251
5 *	Compression ring (Optional for use with wide-spray nozzles)	752453
6	Nut, hose clamp, MH-2	520081
7	O-ring 1 1/16" ID x 1 5/16" OD	523881
8	Screw set, 1/4" - 20 x 3/8"	551052
9	Connector, MH-2	505631
10	Hose barb, 1/2" FPT x 1/2" hose	520402
11	O-ring, 1/2" ID x 5/8" OD (2 required)	523912

* Recommended spare part—Consumable wear item
 † Essential component to prevent downtime



MH-2 Suction Gun Assemblies

Nozzle (Air Jet) Diameters	PART NUMBERS					
	Long-Handle Gun with			Short-Handle Gun with		
	1/4" (1/8")	5/16" (5/32")	7/16" (7/32")	1/4" (1/8")	5/16" (5/32")	7/16" (7/32")
Ceramic nozzle	505521	505481	505491	505531	505541	505551
Di-Carb™ nozzle	505501	505441	505451	505561	505571	505581
Boron nozzle	505511	505461	505471	505591	505601	505611

• Long-handle gun with 5/16" ceramic nozzle (505481) supplied as standard.

Nozzles for MH-2 Guns

Diameter (#)	Part Numbers		
	1/4" (#4)	5/16" (#5)	7/16" (#7)
Ceramic (each)	505421	502431	502441
Ceramic (10 pack)	503341	503351	503361
Di-Carb™ (each)	501331	501341	501351
Boron (each)	502071	502081	502091

Air Jets for MH-2 Guns

Diameter	Designation	Note	Part Number
3/32"	orange		505651
1/8"	yellow		505661
5/32"	green	Standard	505671
3/16"	blue		505681
7/32"	white		505691
1/4"	red		505701

