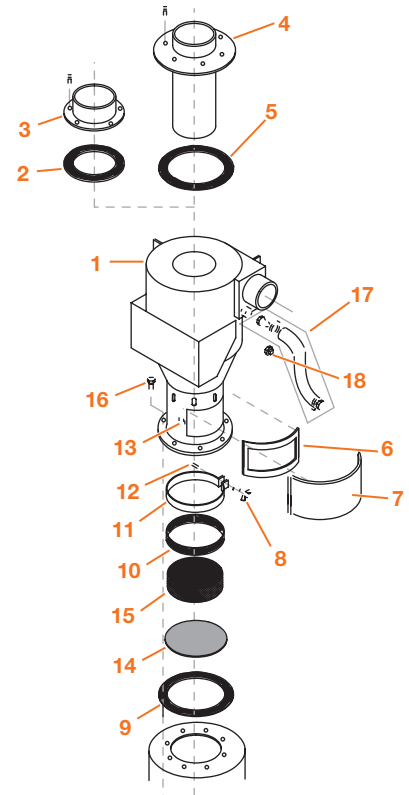


Parts: Pro-Finish® Reclaimers

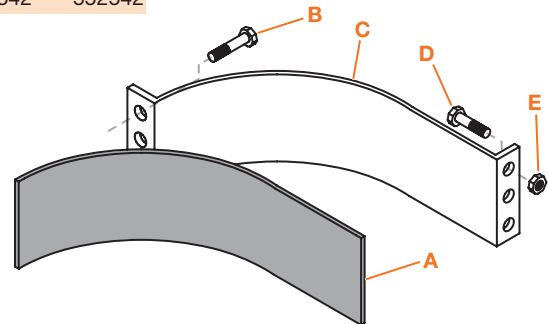
Guide to Part Numbers

PRO-FINISH® RECLAIMER COMPONENTS		400	600	900
Airflow Capacity (CFM)				1200
Item	Description	PART NUMBER		
1	Reclaimer body assembly (includes items 1 through 13)	140439	140440	140441
	Body assembly w/ 1 hp, 115V, 60Hz/1ph blower & bag	140438	NA	NA
2	Gasket, outlet flange (1 required)	524361	NA	NA
3	Outlet flange (6")	751501	NA	NA
4 *	Removable top	NA	766741	766751
5 †	Gasket, reclaimer to storage hopper	524371	524371	524371
6 †	Gasket, reclaimer door	524331	524331	524331
7	Door, reclaimer	760721	760721	760721
8	Wing nut, 1/4" - 20	552392	552392	552392
9 †	Gasket, reclaimer to storage hopper	524371	524371	524371
	Gasket, tuning band, solid	524342	524342	524342
10 †	Gasket, tuning band, with slots	524341	524341	524341
11	Tuning band (steel part only), solid	767581	767581	767581
	Tuning band (steel part only), with slots	760701	760701	760701
12	Bolt, 1/4" - 20 x 2"	551782	551782	551782
13	Latch & keeper (requires welding)	509581	509581	509581
14	Screen, flat, 5/16", 13" OD	760711	760711	760711
15	Screen, fine 11 1/2" OD, 8 mesh	739041	739041	739041
16	Bolt, 3/8" - 16 x 1" (8 required)	551852	551852	551852
17 *	Exhaust hose assembly for 1 cu. ft. pressure vessel (For pressure systems only)	522611	522611	522611
18	Plug, 1" NPT (For suction systems only)	522611	522611	522611



Reclaimer Options

Ultrawear lining	NA	526183	526193
Urethane lining	NA	525861	525891
Inlet wear plate (complete)			
FACTORY INSTALLED	514471	514481	514491
CUSTOMER INSTALLED	514501	514511	514521
Inlet wear plate (detail)			
A Rubber band	524871	524881	524891
B Bolt, 3/8" - 16 x 2" (3 required)	553892	553892	553892
C Metal band	761601	761611	761621
D Bolt, 3/8" - 16 x 1 1/2" (3 required)	551262	551262	551262
E Nut, 3/8" - 16	552542	552542	552542



* Recommended spare part—Consumable wear item
 † Essential component to prevent downtime