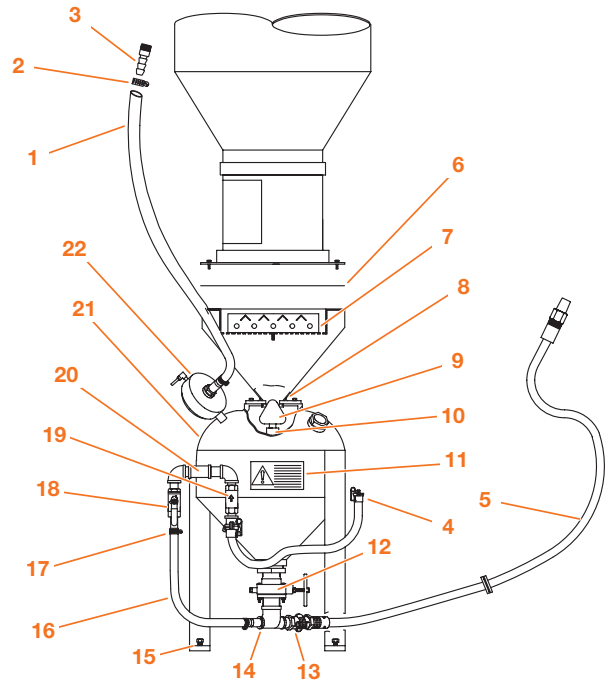




Parts: Pressure Blast Systems



Exhaust Hose

Item	Description	PART NUMBER
1 *	Exhaust hose with 1" NPT barb ends (5'7" for standard 1 cu. ft. pressure vessel)	522611
	Exhaust hose with 1" NPT barb ends (9' for optional 3.5 cu. ft. vessel)	140691
	Exhaust hose, 1" ID (Max. length: 50')	520822
2 †	Hose clamp, 2" (1 each end)	850205
3 *	Hose barb, 1" NPT x 1" ID hose (1 each end)	520181

Blast & Air Hoses

Item	Description	Bulk	PART NUMBERS					
			2636	3648 3696	3674	3660	4848	6060 60120
4 †	Air-hose assembly, 1" ID	—	140301	140302	140302	140303	140303	140304
	(Air-hose length)	—	(4')	(5')	(5')	(6')	(6')	(7')
	Air hose, 1" ID	520912	—	—	—	—	—	—
5 *	Blast hose assembly, 1/2" ID	—	522551	522541	521672	521672	521672	522561
	(Blast hose length except Ergo-Blast & FaStrip)	—	(7'6")	(9')	(10')	(10')	(10')	(13')
5 *	Blast hose assembly, 1/2" ID, Ergo-Blast	—	521672	516271	516271	516271	522561	522561
	(Blast hose length for Ergo-Blast models)	—	(10')	(12')	(12')	(12')	(13')	(13')
	Blast hose, 1/2" ID, maximum length: 50'	520792	—	—	—	—	—	—

Pressure Vessel

Item	Description	PART NUMBER
6 †	Gasket, reclainer to hopper	524371
7	Hopper, 1 cubic foot	760741
8 †	Sealing ring, rubber, 2 1/8" ID	523942
9 †	Plunger, sealing, PVC coated	510431
10	Plunger guide, 1/2" NPT x 3 1/2" nipple	546072
11	Label, WARNING "Do not disassemble . . ."	567332
	Label, WARNING "Flange above . . ."	567312
12	Sure-Flo media regulator, manual (See page A50.)	290383
13	Tank coupling	505782
14	Bullhead tee, 1" x 1" x 2" NPT	545822
15	Leveling bolt, 3/8" - 16 x 3", 1 cu. ft. (3 per assembly)	551902
	Leveling bolt, 1/2" - 13 x 2 3/4", 3.5 cu. ft. (3 per assembly)	551982
16	Hose, 1" ID (Specify 1.5' for 1 cu. ft. vessel; 3.5' for 3.5 cu. ft. vessel)	520912
17 †	Hose clamp for 1" ID hose (1 each end)	520581
18	Ball valve, 1" NPT	518492
19 †	Check valve, 1" NPT	517503
20	Tee, 1" x 1" x 1/2" NPT	545702
21	Pressure vessel only, 1 cu. ft.	760811
22	MG-78 exhaust valve (See page A50.)	290182

Pressure vessel assembly includes items 1 through 3 and 9 through 22.

140300

* Recommended spare part—Consumable wear item † Essential component to prevent downtime