

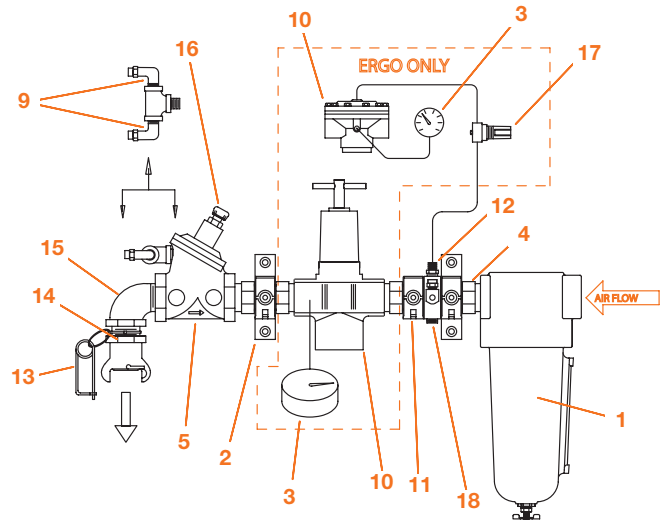
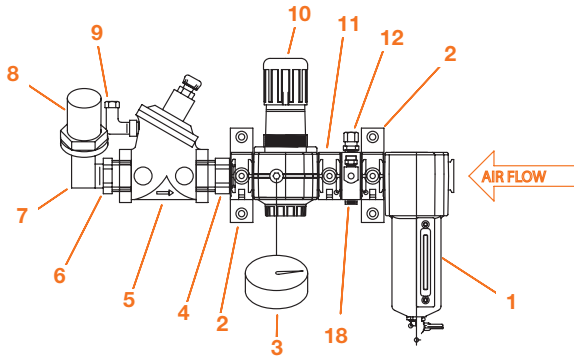
# Parts: Pipe Strings

## Pipe String Assemblies

Description	PART NUMBER
1/2" pipe string used with one-gun suction	140279
1" pipe string used with pressure & multi-gun suction	140280
1" pipe string used with Ergo-Blast systems	140479

## Pipe String Mounting Hardware

Description	PART NUMBER
1/4" flat-head bolt (4 required)	564121
1/4" washer (4 required)	552882
1/4" hex nut (4 required)	552522



## Guide to Part Numbers

PIPE STRING COMPONENTS		PART NUMBERS		
Item	Description	1/2" String	1" String	Ergo String
1 †	Air filter (1/2" manual, 1" manual; Norgren)	504652	517271	517271
	Element for Norgren air filter, 5µ	508012	508002	508002
	O-ring and gasket kit for Norgren air filter	508112	505161	505161
2	Mounting feet/quick clamp	522155	522155	522155
3	Gauge, (550232 1/4" NPT; 550212 1/8" NPT back mount)	550232	550232	550212
4	Adapter	522156	522156	522156
5 †	Main air valve (1" Aquamatic)	517042	517042	517042
	Diaphragm and seal kit for 1" Aquamatic	517582	517582	517582
	Special wrench for 1" Aquamatic	518512	518512	518512
	Repair kit for 1" Aquamatic	517583	517583	517583
6	Bushing, 1" x 1/2" brass	544497	—	—
7	Elbow, 1/2" x 90°	543533	—	—
8	Hose barb, 1/2"	520362	—	—
9	Adapter, 1/4" tube x 1/4" NPT 90°	520432	520432	520432
10 †	Air-pressure regulator (Norgren)	517141	517251	517631
	Diaphragm and O-ring kit for Norgren regulator	508102	508161	508211
11	Quick clamp	522154	522154	522154
12	Hose adapter, 1/4" x 1/4"	520222	520222	520222
13	Safety pin	—	510511	510511
14	Coupling, 1" FPT, UF-100	—	505782	505782
15	Elbow, 1" NPT street	—	543542	543542
16	Vent	523261	523261	523261
17 †	Regulator, 1/4" NPT	—	—	517611
18	Porting block	522157	522157	522157

† Essential component to prevent downtime