



# Options Details: Pressure Blast

## Pressure Blast System Options (continued)

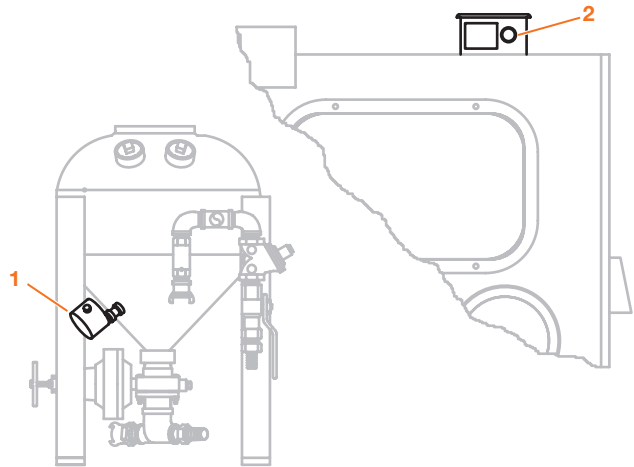
PART NUMBERS  
**FACTORY INSTALLED**    **CUSTOMER INSTALLED**

Media low-level sensor & indicator warn when the media supply is low.

140381    Call

### Media Low Level Sensor & Indicator Components

Item	Description	PART #
1	Level sensor	600633
2	Indicator lamp (red)	532743



Media regulator with aeration promotes smooth flow of fine and light grit.

140374    140360

### Aerated Media Regulator Components

Item	Description	PART #
1	Tee, 1" NPT	545532
2	Hex bushing, 1" x 1/4" NPT	544482
3	Connector, brass, 1/4" MPT x 1/4" tube	521081
4	Nipple, 2 1/2"	546601
5	Upper ring	753581
6	Washer disc seal	524971
7	Washer inner-disc seal	524961
8	Regulator body	753601
9	Clamp knob	511041
10	Hex bushing, 1/4" x 1/8" NPT	544302
11	Clamp	753591
12	Metering orifice, 1/16"	762651
	Metering orifice, 3/32"	762661
	Metering orifice, 1/8"	762671
	Metering orifice, 5/32"	762681
	Metering orifice, 3/16"	762691
	Metering orifice, 7/32"	762701
	Metering orifice, 1/4"	762711
	Metering orifice, 3/8"	762731
13	Metering orifice, 5/16"	762721
13	Aeration disc	511031
14	O-ring	524941

