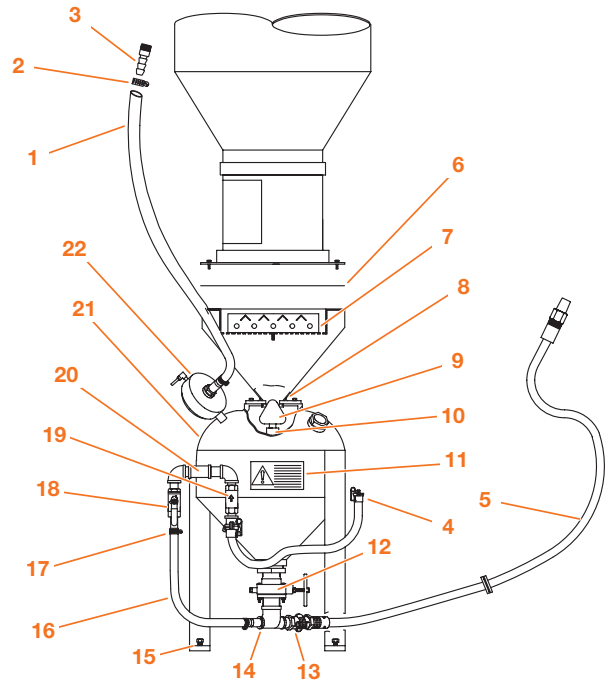




Parts: Pressure Blast Systems



Exhaust Hose

Item	Description	PART NUMBER
1 *	Exhaust hose with 1" NPT barb ends (5'7" for standard 1 cu. ft. pressure vessel)	522611
	Exhaust hose with 1" NPT barb ends (9' for optional 3.5 cu. ft. vessel)	140691
	Exhaust hose, 1" ID (Max. length: 50')	520822
2 †	Hose clamp, 2" (1 each end)	850205
3 *	Hose barb, 1" NPT x 1" ID hose (1 each end)	520181

Blast & Air Hoses

Item	Description	Bulk	PART NUMBERS					
			2636	3648 3696	3674	3660	4848	6060 60120
4 †	Air-hose assembly, 1" ID	—	140301	140302	140302	140303	140303	140304
	(Air-hose length)	—	(4')	(5')	(5')	(6')	(6')	(7')
	Air hose, 1" ID	520912	—	—	—	—	—	—
5 *	Blast hose assembly, 1/2" ID	—	522551	522541	521672	521672	521672	522561
	(Blast hose length except Ergo-Blast & FaStrip)	—	(7'6")	(9')	(10')	(10')	(10')	(13')
5 *	Blast hose assembly, 1/2" ID, Ergo-Blast	—	521672	516271	516271	516271	522561	522561
	(Blast hose length for Ergo-Blast models)	—	(10')	(12')	(12')	(12')	(13')	(13')
	Blast hose, 1/2" ID, maximum length: 50'	520792	—	—	—	—	—	—

Pressure Vessel

Item	Description	PART NUMBER
6 †	Gasket, reclainer to hopper	524371
7	Hopper, 1 cubic foot	760741
8 †	Sealing ring, rubber, 2 1/8" ID	523942
9 †	Plunger, sealing, PVC coated	510431
10	Plunger guide, 1/2" NPT x 3 1/2" nipple	546072
11	Label, WARNING "Do not disassemble . . ."	567332
	Label, WARNING "Flange above . . ."	567312
12	Sure-Flo media regulator, manual (See page A50.)	290383
13	Tank coupling	505782
14	Bullhead tee, 1" x 1" x 2" NPT	545822
15	Leveling bolt, 3/8" - 16 x 3", 1 cu. ft. (3 per assembly)	551902
	Leveling bolt, 1/2" - 13 x 2 3/4", 3.5 cu. ft. (3 per assembly)	551982
16	Hose, 1" ID (Specify 1.5' for 1 cu. ft. vessel; 3.5' for 3.5 cu. ft. vessel)	520912
17 †	Hose clamp for 1" ID hose (1 each end)	520581
18	Ball valve, 1" NPT	518492
19 †	Check valve, 1" NPT	517503
20	Tee, 1" x 1" x 1/2" NPT	545702
21	Pressure vessel only, 1 cu. ft.	760811
22	MG-78 exhaust valve (See page A50.)	290182

Pressure vessel assembly includes items 1 through 3 and 9 through 22.

140300

* Recommended spare part—Consumable wear item † Essential component to prevent downtime



Parts: Pressure Blast Systems

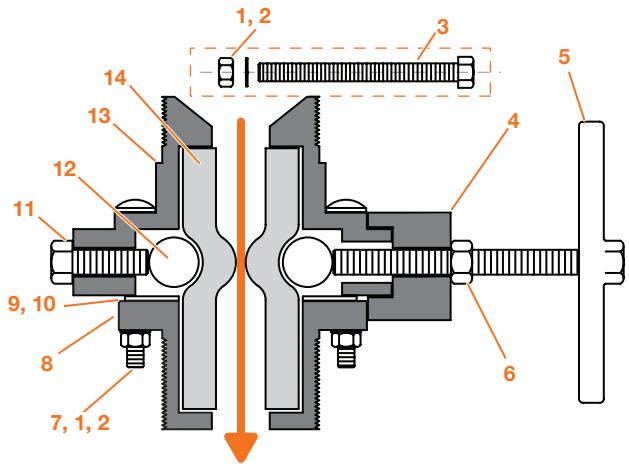
Manual Sure-Flo® Media Regulator (Part Number 290383)

Item	Description	PART NUMBER
1	Hex nut, 3/8" – 16 (6 required)	552542
2	Lock washer, 3/8" ID (6 required)	552762
3	Hex bolt, 3/8" – 16 x 3" (2 required)	551902
4	Adapter, manual body, Sure-Flo	753372
5	Handle assembly, 1/2" – 13 x 4"	290384
6	Jam nut, 1/2"	552672
7	Carriage bolt, 3/8" – 16 x 2 1/2" (4 required)	552052
8	Flange, 2" MPT	753292
9 †	Roller stop, holder	753092
10	Screw, 8 – 32 x 1/2" (2 per assembly)	551352
11	Bolt, 7/16" – 14 x 1 1/4"	552222
12 †	Pinch roller (2 per assembly)	753632
13	Valve body, 2" MPT	753692
14 *	Metering tube, 3/4" ID (See below.)	523592

* Recommended spare part—Consumable wear item

† Essential component to prevent downtime

Note: These fasteners are used two places to mount manual body adapter to Sure-Flo® body.



For details on the Automatic Sure-Flo® (PN 290215), see page A73.

Sure-Flo® metering tubes are available in six sizes for work with differing media types and nozzle sizes.

Metering Tube ID	Nozzle Size	Grit Range	Comments	PART NUMBER
3/8"	Small	Fine	Back out roller bolt 1/2"	525451
1/2"	Small-medium	Fine-medium	Back out roller bolt 1/2"	525782
3/4"	Medium	Medium	Supplied as standard	523592
3/4"	Medium	Medium	Use below 32° F. (red)	523512
5/8"	Medium-large	Medium-coarse		525792
7/8"	Large	Coarse	For high-production	525802

MG-78 Exhaust Valve (Part Number 290182)

Item	Description	PART #
1	Hose barb, 1"	520181
2	Reducer bushing, 1 1/4" MPT x 1" FPT	544512
3	Valve body	753332
4	Seat, valve ball (steel)	753412
5	Gasket, seat	524132
6	Valve ball	525322
7	Space washer, steel (1/2" ID x 2" OD x 1/4" thick)	553412
8	Spacer ring, outer	753402
9	Bolt, 3/8" – 16 x 2"	553982
	Lock washer, 3/8"	552762
10	Washer (1/2" ID x 2" OD x 1/16" thick)	552842
11	Valve cover	753382
12	Spacer ring, inner	753392
13	Bolt, 1/2" – 13 x 1 3/4"	551962
14	Elbow, brass (1/4" MPT x 1/4" tube)	520242
	Pipe bushing, 1/4" x 1/8"	544302
15	Diaphragm (2 per assembly)	523672
16	Pipe nipple, 1" CLOSE	546192
17	Screws, seat, 1/4" – 20 x 1/2" (pack of 3)	551122

RESTRICTOR PARTS

18	Nozzle washer, NW-1 (pack of 10)	524062
19	Nozzle washer, NW-4 (pack of 10)	524082
20	Steel washer	552952
	Ceramic restrictor kit (standard)	290218
	Ceramic nozzle (standard)	502431
21	Boron carbide restrictor kit (customer upgrade)	502081
	Boron carbide restrictor kit (factory upgrade)	290184

