



Parts: Dust Collectors, Cartridge

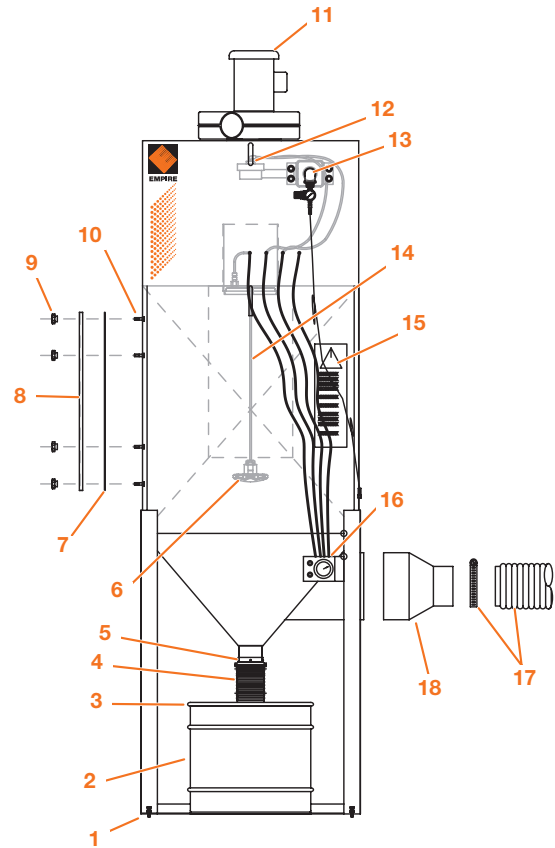
Guide to Part Numbers

For CDC-6 (PN 113007), CDC-9 (PN 113011) & CDC-12 (PN 113013)

"CDC" SERIES COMPONENTS		
Item	Description	PART#
1	Bolt, levelling, 3/8" - 16 x 2" (4 required)	553892
2	16-gallon drum	504016
3	Lid for 16 gallon drum	850099-1
	Gasket, dust drum lid, 5' (not shown)	800166
4	Dust hose, 4" (specify length)	522923
5	Hose clamp, 4" (2 required)	520531
	Screw, #8 x 5/8" (4 required)	554232
	16 gallon drum assembly (includes items 2 through 5)	113015
6	Filter clamping screw	515526
7 †	Gasket, access door, 5/8" x 5/8", 103" section	525711
	Gasket, 5/8" x 5/8" (specify length)	525061
8	Access door, dust collector	760851
9	Knob, 3/8" - 16 (6 required)	510461
10	Bolt, 3/8" - 16 x 1 1/4" (6 required)	551852
	Empire logo	564305
11	Blower and blower motors (<i>See page A45.</i>)	—
12	Diaphragm valve (2 required)	516350
13	Air supply assembly	140851
14 *	Cartridge filter (2 required)	515525
15	Decal, Instruction/Warning	567405
16	Mini-Helic package	550450
17	Ducting and adapters (<i>See page A46.</i>)	—
18	Adapter, 10" ID x 6" OD for CDC-6	761801

* Recommended spare part—Consumable wear item

† Essential component to prevent downtime



Cartridge Dust collector Options

	PART NUMBERS		
	FACTORY INSTALLED	CUSTOMER INSTALLED	SEE PAGE
HEPA filter captures very fine particles.	140215	140215	—
HEPA filter, pressure differential gauge assembly informs operator regarding filter cleanliness.	140221	140221	—
Leg extension kit raises collector so larger collection drum can be placed underneath.	140185	140185	—
Lid assembly for 55 gallon drum attaches securely to clean-out door.	140155	140155	A65
Photohelic cartridge cleaning improves system performance, saves operator time.	140900	140900	A66
Sound attenuator/damper reduces noise in the work place.			
Attenuator/damper for CDC-6	140361	140361	—
Attenuator/damper for CDC-9	140769	140769	—
Attenuator/damper for CDC-12	140680	140680	—