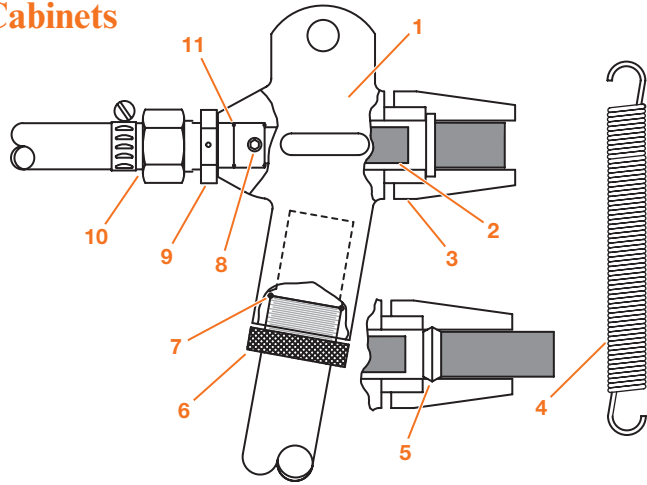




Parts: Econo-Finish® Blast Guns

MH-2A Suction Blast Gun for “A Series” Cabinets

Item	Description	Part#
	MH-2A gun, common components	140700
	MH-2A gun, 1/4" Di-Carb™ nozzle, 1/8" air jet	140701
	MH-2A gun, 1/4" ceramic nozzle, 1/8" air jet (standard)	140702
	MH-2A gun, 7/16" Di-Carb™ nozzle, 7/32" air jet	140703
	MH-2A gun, 1/4" boron nozzle™, 1/8" air jet	140704
	MH-2A gun, 5/16" boron nozzle, 5/32" air jet	140705
	MH-2A gun, 7/16" boron nozzle, 7/32" air jet	140706
	MH-2A gun, 5/16" ceramic nozzle, 5/32" air jet	140708
1 *	Gun body, long handle	735551
2 *	Air jet, 5/32" (green)	505671
3 *	Nozzle adapter, plastic	505641
4	Spring, suction-gun assist	511251
5 *	Compression ring (Optional for use with wide-spray nozzles)	752453
6	Nut, hose clamp, MH-2A	520081
7	O-ring 1 1/16" ID x 1 9/16" OD	523881
8	Set screw, 1/4" – 20 x 3/8"	551052
9	Connector, MH-2	505631
10	Hose barb, 1/2" FPT x 1/2" hose	520402
11	O-ring, 1/2" ID x 5/8" OD (2 required)	523912



* Recommended spare part—Consumable wear item
 † Essential component to prevent downtime

Nozzles for MH-2A Guns

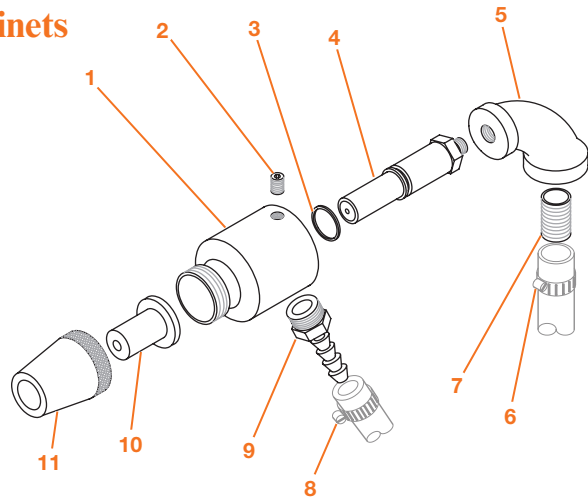
Diameter (#)	Part Numbers		
	1/4" (#4)	5/16" (#5)	7/16" (#7)
Ceramic (each)	505421	502431	502441
Ceramic (10 pack)	503341	503351	503361
Di-Carb™ (each)	501331	501341	501351
Boron (each)	502071	502081	502091

Air Jets for MH-2A Guns

Diameter	Designation	Note	Part Number
3/32"	orange		505651
1/8"	yellow		505661
5/32"	green	Standard	505671
3/16"	blue		505681
7/32"	white		505691
1/4"	red		505701

MH-4 Suction Blast Gun for “B Series” Cabinets

Item	Description	Part#
	MH-4 gun, 1/4" ceramic nozzle, 3/32" air jet (standard)	140721
	MH-4 gun, 5/16" ceramic nozzle, 1/8" air jet	140722
	MH-4 gun, 1/4" Di-Carb™ nozzle, 3/32" air jet	140723
	MH-4 gun, 5/16" Di-Carb™ nozzle, 1/8" air jet	140724
1	Suction head	505331
2	Set screw, 1/4" – 20 x 3/8"	551052
3	O-ring	523891
4 *	Air jet with O-ring, 1/8" (orange)	504811
4 *	Air jet with O-ring, 3/32" (yellow) (standard)	504821
5	Elbow, 1/4" x 1/8"	543921
6	Hose clamp (not included with gun)	521091
7	Nipple, 1/4"	545912
8	Hose clamp (not included with gun)	521091
9	Hose barb, 1/2" x 3/8" MPT	520372
10 *	Nozzle, ceramic, 1/4" (standard)	502661
11	Nozzle adapter (ceramic & Di-Carb nozzles) Nozzle adapter (Boron carbide nozzle only)	504901 504921



Nozzles for MH-4 Guns

Diameter	Part Numbers	
	1/4"	5/16"
Ceramic (each)	502661	502701
Ceramic (10 pack)	502401	502411
Di-Carb™ (each)	501311	501321
Boron carbide (each)	502101	NA

Boron carbide nozzle requires nozzle adapter, PN 504921

* Recommended spare part—Consumable wear item
 † Essential component to prevent downtime