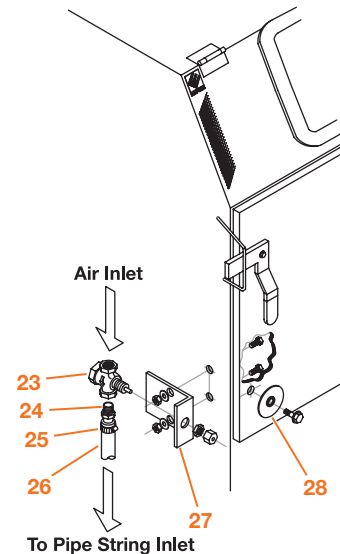
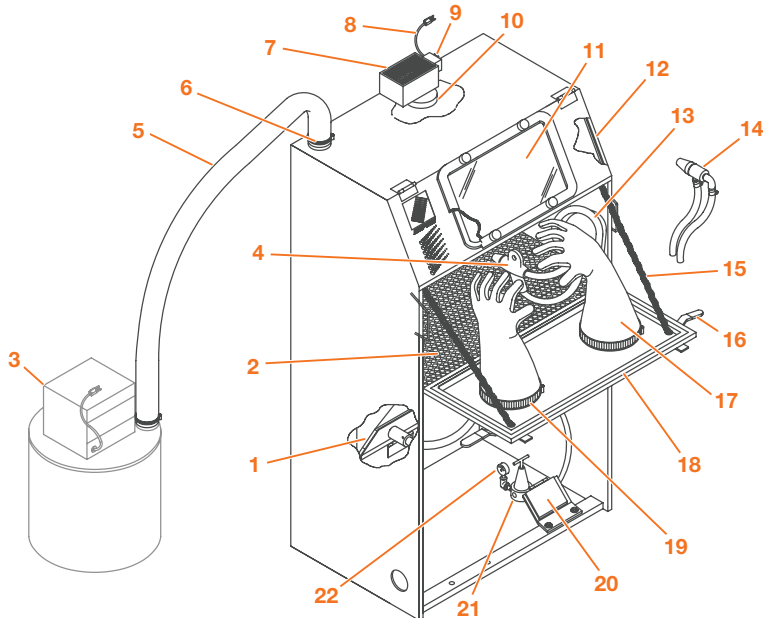




Parts: Econo-Finish® Cabinet Assemblies

Guide to Part Numbers Models since 1991



Optional Blast Interlock for Main Door

| Item | Description | Part# |
|------|--|--------|
| 1 | Gasket, clean-out door | 580081 |
| 2 | Floor, 2430 cabinets | 771721 |
| | Floor, 2436 cabinets | 771731 |
| | Floor, 2448 cabinets | 771741 |
| 3 | Dust collector (See page F3 for details.) | |
| 4 * | Blast gun, MH-2A (See page F4 for details.) | |
| 5 | Dust hose, 3" I.D. x 6' | 515941 |
| 6 | Clamps for 3" dust hose (2 required) | 520521 |
| 7 | Filter | 510495 |
| | Retaining screen | 510481 |
| 8 | Line cord with plug | 529601 |
| 9 † | Switch, 15 Amp. | 534571 |
| † | Spotlight, 150 W. | 532701 |
| 10 | Gasket for spotlight | 580191 |
| | Light fixture with gasket | 532711 |
| | Light box assembly, includes 7 & 8 | 141468 |
| | Window assembly, complete, includes | 140554 |
| | Window spacers (4 required) | 525931 |
| 11 | Window knobs (4 required) | 510461 |
| | Window frame | 760291 |
| † | Window gasket, 6' | 524451 |
| * | Window safety glass Δ | 510401 |
| | Gasket, upper door, 3/4" x 3/4" | |
| 12 | 2436 cabinets, 6' (Specify length.) | 524441 |
| | 2448 cabinets, 7' (Specify length.) | 524441 |
| * | Blast hose, 1/2" I.D., 7' (Specify length.) | 520861 |
| 13 † | Air hose, 1/2" I.D., 7' (Specify length.) | 520861 |
| | Clamp for 1/2" air hose (2 required) | 521091 |
| | Grommet for 1/2" hose (2 required) | 523921 |
| 14 * | Blast gun, MH-4 (See page F4 for details.) | |
| 15 † | Chain, 21" (2 required) | 770691 |
| 16 | Door handle (2 required) (Specify right or left.) | 771641 |
| | Handle cover (2 required) (Specify right or left.) | 509571 |
| 17 * | Rubber gloves, pair | 509891 |
| * | Rubber glove, left hand | 510821 |

| Item | Description | Part# |
|------|---|--------|
| * | Gasket, lower door, 3/4" x 3/4", sides and bottom (Specify length in feet.) | |
| | 2340 cabinets, 8' | 524441 |
| | 2436 cabinets, 6' | 524441 |
| | 2448 cabinets, 7' | 524441 |
| 18 * | Gasket, lower door, 1/4" x 1", top lip (Specify length in feet.) | |
| | 2436 cabinets, 3' | 523622 |
| | 2448 cabinets, 4' | 523622 |
| 19 | Clamps for gloves, 8" (two) | 555016 |
| | Foot-treadle assembly without regulator for Series "B" cabinets | 140717 |
| 20 | Foot-treadle assembly with regulator for Series "A" cabinets | 140718 |
| | Valve, foot treadle | 517031 |
| 21 | Regulator for Series "A" cabinets | 517301 |
| | Repair kit for 517301 regulator | 508201 |
| 22 | Gauge, Series "A" cabinets | 550242 |
| | Optional Blast Interlock Assembly (Includes items 23 through 27 for customer installation) | 140377 |
| 23 | Valve | 517031 |
| 24 | Fitting, 1/2" hose x 3/8" MPT | 520372 |
| 25 | Hose clamp | 520502 |
| 26 | 1/2" air hose (5' required) (Specify length.) | 520861 |
| 27 | Bracket, interlock | 770741 |
| 28 | Piston plate | 517812 |

PARTS NOT SHOWN ON DRAWING

- Spring, clean-out door 510961
- Decal (**Instructions/Warning**), door 567361
- Decal (**Instructions/Warning**), cabinet 567391

* Recommended spare part — Consumable wear item
 † Essential component to prevent downtime
 Δ Failure to replace glass with Empire safety glass could result in serious injury.