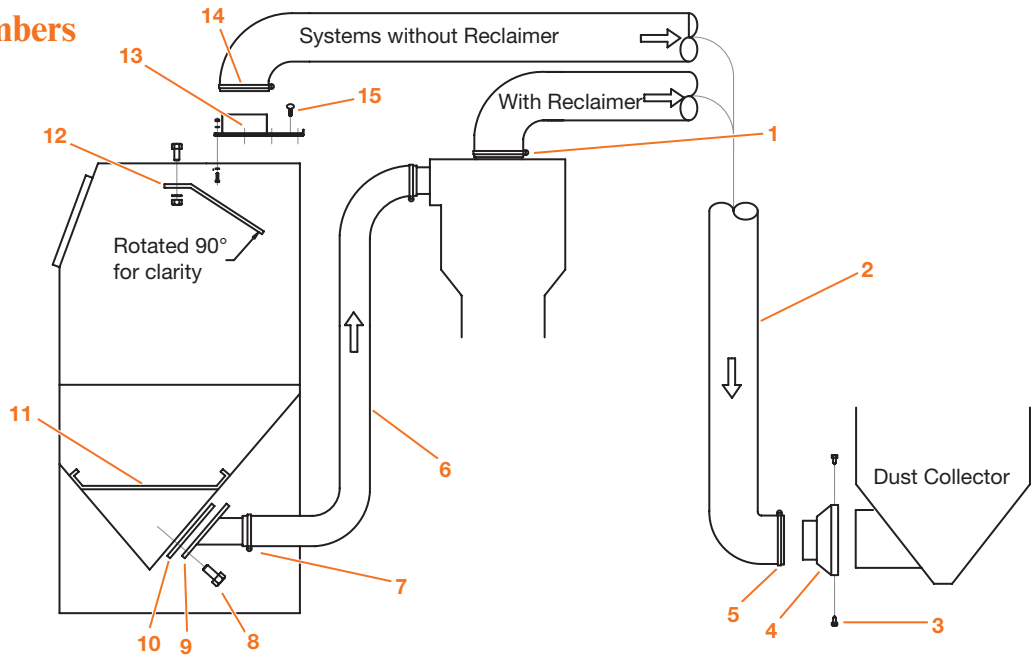




Parts: Ducting, Hoses & Adapters

Guide to Part Numbers



RECLAIMER CAPACITY		400 CFM	600 CFM	900 CFM	1200 CFM
Item	Description	PART NUMBERS			
1	Hose clamp, dust hose (Nominal hose diameter)	520551 (6")	520551 (6")	522314 (10")	522314 (10")
2	Dust hose (I.D. x length)	516101 (6" x 11')	516101 (6" x 11')	516999 (10" x 15')	516999 (10" x 15')
	Dust hose for optional 3.5 ft ³ pressure vessel (I.D. x length)	515631 (6" x 25')	515631 (6" x 25')	516999 (10" x 15')	516999 (10" x 15')
3	Screw, #10-32 x 1/2" (2 required)	551522	551522	551522	551522
4	Adapter, dust hose, 6" O.D. x 10 1/8" I.D., DCM-200	NA	761801	NA	NA
5	Hose clamp, dust hose (Nominal hose diameter)	520551 (6")	520551 (6")	522314 (10")	522314 (10")
6	Conveying hose, standard duty, without clamps (I.D. x length)	522351 (4" x 8')	522351 (4" x 8')	516101 (6" x 11')	516101 (6" x 11')
	Conveying hose, heavy duty, with clamps, factory upgrade ** (I.D. x length)	140338 (4" x 9')	140338 (4" x 9')	140339 (6" x 12')	140339 (6" x 12')
	Conveying hose, heavy duty, with clamps, customer install (I.D. x length)	140354 (4" x 9')	140354 (4" x 9')	140355 (6" x 12')	140355 (6" x 12')
	Conveying hose, 4" I.D., heavy duty to length (Specify length)	515911	515911	515911	515911
	Conveying hose, 6" I.D., heavy duty to length (Specify length)	515921	515921	515921	515921
	Conveying hose, standard duty, for optional 3.5 ft ³ pressure vessel (I.D. x length)	516033 (4" x 15')	516033 (4" x 15')	515631 (6" x 25')	515631 (6" x 25')
	Conveying hose, heavy duty, for optional 3.5 ft ³ vessel, factory upgrade **	140613	140613	140614	140614
Conveying hose, heavy duty, for optional 3.5 ft ³ vessel, customer install (I.D. x length)	140611 (4" x 15')	140611 (4" x 15')	140612 (6" x 15')	140612 (6" x 15')	
7	Hose clamp, standard duty conveying hose	520531	520531	520551	520551
	Hose clamp, heavy duty conveying hose	522953	522953	522963	522963
8	Bolt, 1/4"-20 x 1" (4 required)	551212	551212	551212	NA
9	Outlet adapter, cabinet	760421	760421	760431	NA
10	Gasket, cabinet outlet	524381	524381	524381	NA
11	Screen (2636 & 3648 cabinets)	766771	766771	766771	766771
	Screen (4848 & 6060 cabinets)	NA	766781	766781	766781

Suction Systems with a Dust Collector but without a Reclaimer

12	Baffle, ventilation, all size cabinets	760828
13	Slide gate assembly, system with dust bag	760826
	Slide gate assembly, system with collector	760827
14	Clamp for 6" nominal hose	520551
15	Bolt, 1/4"-20 x 1" (5 required)	553554

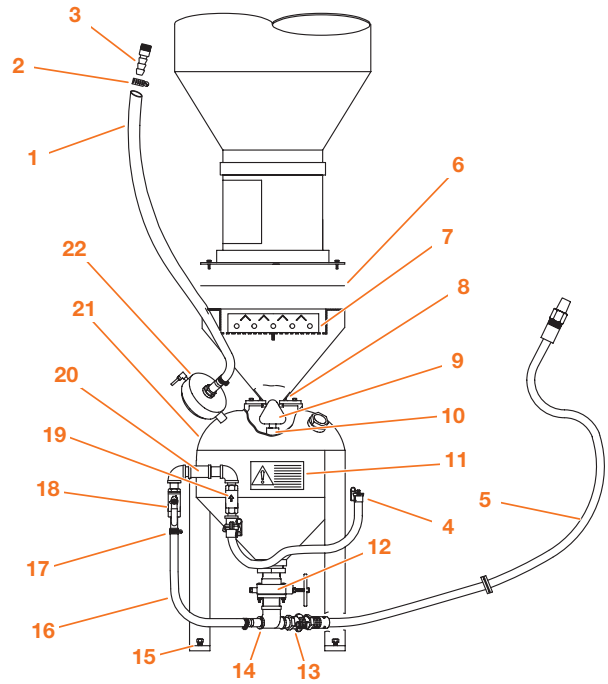
Hose Adapters, miscellaneous

	10" I.D. x 6" O.D. for DCM 200	761801
	6" I.D. x 4" O.D.	764691
	6" I.D. x 5" O.D.	509711
	5" I.D. x 4" O.D.	511401
	6 1/8" I.D. x 5" O.D. with 4 3/4" I.D. fits over 4" HD hose	764032
	Block-off plate, outer adapter, seals lower outlet	760451

* Recommended spare part—Consumable wear item ** Not to be ordered as replacement hose.



Parts: Pressure Blast Systems



Exhaust Hose

Item	Description	PART NUMBER
1 *	Exhaust hose with 1" NPT barb ends (5'7" for standard 1 cu. ft. pressure vessel)	522611
	Exhaust hose with 1" NPT barb ends (9' for optional 3.5 cu. ft. vessel)	140691
	Exhaust hose, 1" ID (Max. length: 50')	520822
2 †	Hose clamp, 2" (1 each end)	850205
3 *	Hose barb, 1" NPT x 1" ID hose (1 each end)	520181

Blast & Air Hoses

Item	Description	Bulk	PART NUMBERS					
			2636	3648 3696	3674	3660	4848	6060 60120
4 †	Air-hose assembly, 1" ID	—	140301	140302	140302	140303	140303	140304
	(Air-hose length)	—	(4')	(5')	(5')	(6')	(6')	(7')
	Air hose, 1" ID	520912	—	—	—	—	—	—
5 *	Blast hose assembly, 1/2" ID	—	522551	522541	521672	521672	521672	522561
	(Blast hose length except Ergo-Blast & FaStrip)	—	(7'6")	(9')	(10')	(10')	(10')	(13')
5 *	Blast hose assembly, 1/2" ID, Ergo-Blast	—	521672	516271	516271	516271	522561	522561
	(Blast hose length for Ergo-Blast models)	—	(10')	(12')	(12')	(12')	(13')	(13')
	Blast hose, 1/2" ID, maximum length: 50'	520792	—	—	—	—	—	—

Pressure Vessel

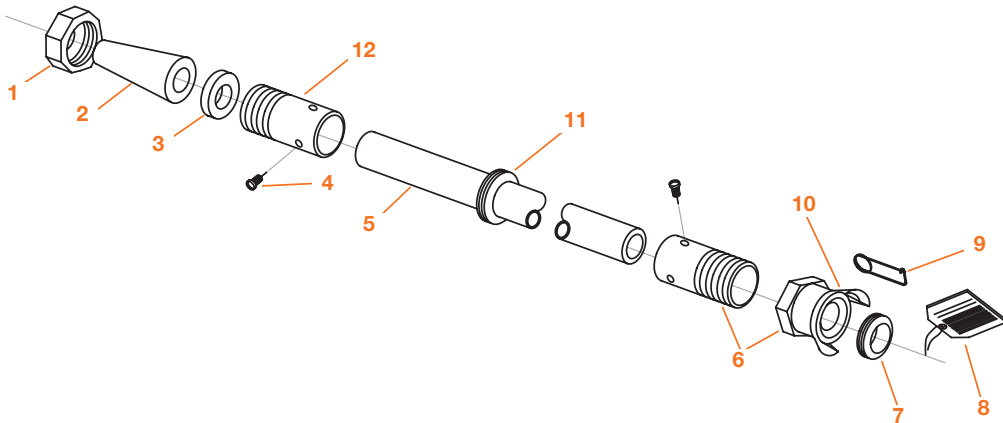
Item	Description	PART NUMBER
6 †	Gasket, reclainer to hopper	524371
7	Hopper, 1 cubic foot	760741
8 †	Sealing ring, rubber, 2 1/8" ID	523942
9 †	Plunger, sealing, PVC coated	510431
10	Plunger guide, 1/2" NPT x 3 1/2" nipple	546072
11	Label, WARNING "Do not disassemble . . ."	567332
	Label, WARNING "Flange above . . ."	567312
12	Sure-Flo media regulator, manual (See page A50.)	290383
13	Tank coupling	505782
14	Bullhead tee, 1" x 1" x 2" NPT	545822
15	Leveling bolt, 3/8" - 16 x 3", 1 cu. ft. (3 per assembly)	551902
	Leveling bolt, 1/2" - 13 x 2 3/4", 3.5 cu. ft. (3 per assembly)	551982
16	Hose, 1" ID (Specify 1.5' for 1 cu. ft. vessel; 3.5' for 3.5 cu. ft. vessel)	520912
17 †	Hose clamp for 1" ID hose (1 each end)	520581
18	Ball valve, 1" NPT	518492
19 †	Check valve, 1" NPT	517503
20	Tee, 1" x 1" x 1/2" NPT	545702
21	Pressure vessel only, 1 cu. ft.	760811
22	MG-78 exhaust valve (See page A50.)	290182

Pressure vessel assembly includes items 1 through 3 and 9 through 22.

140300

* Recommended spare part—Consumable wear item † Essential component to prevent downtime

Parts: Pressure Blast Systems



Blast Hose Assembly, 1/2 Inch (Not for FaStrip® Models)

Item	Description	MODEL NUMBER	PART NUMBER
1 †	Nozzle adapter	NA-2	504912
2	Ceramic nozzle, 3/16" (not included)		502362
3	Nozzle washer, Ceramic nozzle 5/8" ID (10 pack)	NW-5	524041
	Nozzle washer, Di-Carb/Boron, 1/2" ID (10 pack)	NW-2	524052
4 †	Screws (4 pack) Δ	#8 x 3/8"	554242
5	Blast hose, 1/2" ID (specify length)	PBH-1/2	520792
6	Quick coupling with washer and screw package	QC-1/2	505222
7	Coupling washer (10 pack)	AHCW	524101
	Coupling washer (25 pack)	AHCW	525102
8	Tag, safety, screw/coupling	—	564822
9 †	Safety pin Δ	—	510511
10	Tank coupling, 1" FPT with AHCW	UF-100	505782
11	Grommet, blast hose	1" x 1 3/8"	523931
12 †	Nozzle coupling	NC-1/2	505232

Δ WARNINGS: See page A55.

Pressure Blast Nozzles

Nozzles for pressure blast systems are available in sizes and materials to meet any application requirement.

Size	MODEL AND PART NUMBERS					
	3/32" (#0)	1/8" (#2)	3/16" (#3)	1/4" (#4)	5/16" (#5)	3/8" (#6)
Ceramic (uses NW-5 washer)	CN3-0	CN3-2	CN3-3	CN3-4	CN3-5	CN3-6
Each	502342	502352	502363	502372	502382	502393
Pack of 10	503372	503382	503392	503402	503412	503422
Pack of 50	503432	503422	503452	503462	503472	503482
Di-Carb™ (comes with NW-2 washer)		DC2F-2	DC2F-3	DC2F-4	DC2F-5	
Each		501272	501282	501292	501302	
Boron (comes with NW-2 washer)		NN2F-2	NN2F-3	NN2F-4		
Each		502022	502032	502042		

• CN3-3 is standard with 1/2" blast hose • CN3-5 supplied with optional 3/4" blast hose. • Consult factory with special requirements.